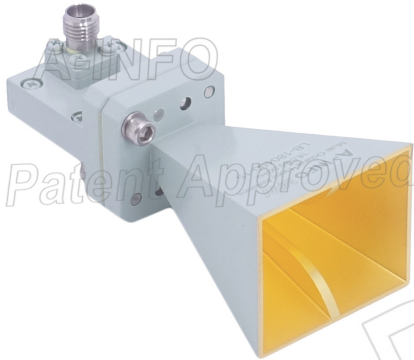


For reference only. See data sheet for the detailed specifications.

## Technical Specification



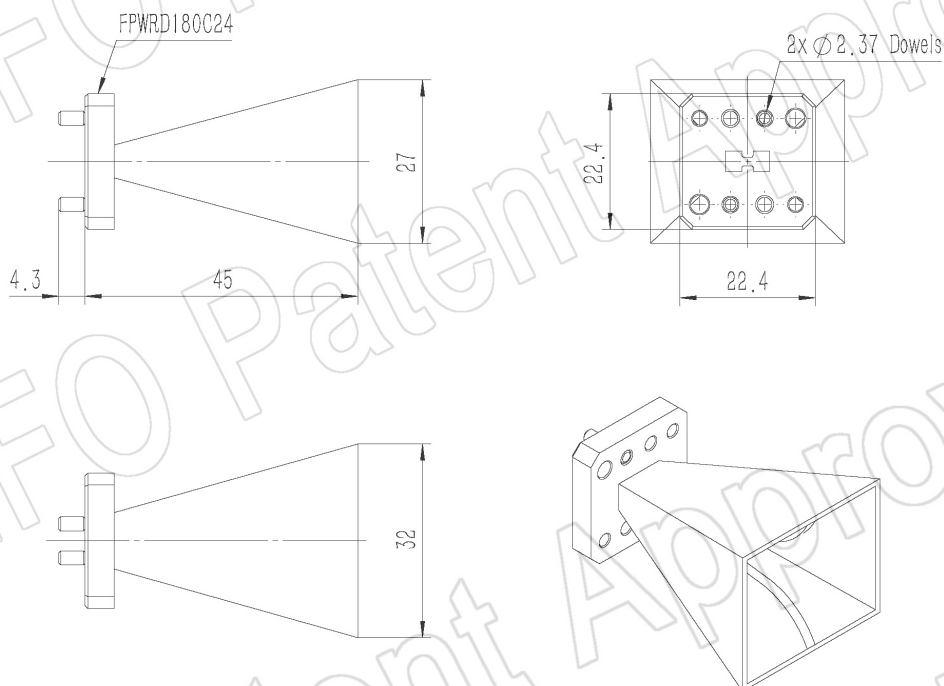
Frequency Range(GHz)	18.0 – 40.0
Gain(dBi)	15 Typ.
Polarization	Linear
3dB Beamwidth(deg)	E Plane: 42 - 21
	H Plane: 45 - 17
Cross Pol. Isolation(dB)	35 Typ.
VSWR	1.5:1 Typ.
Output	A Type: FPWRD180C24
	C Type: 2.92mm-Female or 2.4mm-Female or 2.92mm-Male
Power Handling(W CW)	2.92mm-Female: 20 Max.
	2.4mm-Female: 10 Max.
	2.92mm-Male: 20 Max.
Material	Cu
Finish	Gold Plated, Gary Paint
Size(mm)	A Type: 32 x 27 x 45
	C Type: 32 x 28.6 x 71
Net Weight(Kg)	A Type: 0.04 Around
	C Type: 0.08 Around

**PATENT ID (China)**

**ZL201630454584.X**

## Outline Drawing (Size: mm)

FPWRD180C24 Output (P/N: LB-180400-15-A)



**AINFO Inc.**

China(Beijing):  
China(Chengdu):  
USA :

Tel: (+86) 10-6266-7326,  
Tel: (+86) 28-8519-2786,  
Tel: (+1) 949-639-9688,

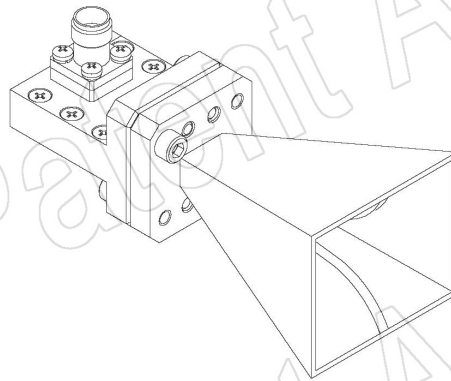
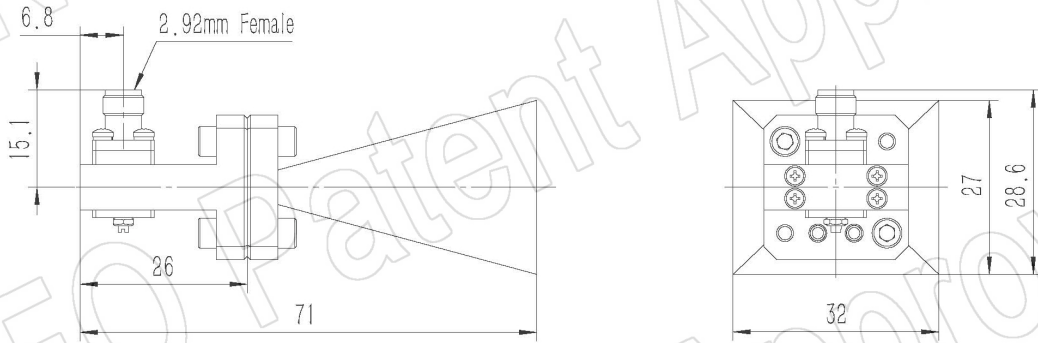
(+86) 10-6266-7327  
(+86) 28-8519-3044  
(+1) 949-639-9608

Fax: (+86) 10-6266-7379  
Fax: (+86) 28-8519-3068  
Fax: (+1) 949-639-9670

Website: [www.ainfoinc.com](http://www.ainfoinc.com)  
Email: [sales@ainfoinc.com](mailto:sales@ainfoinc.com)

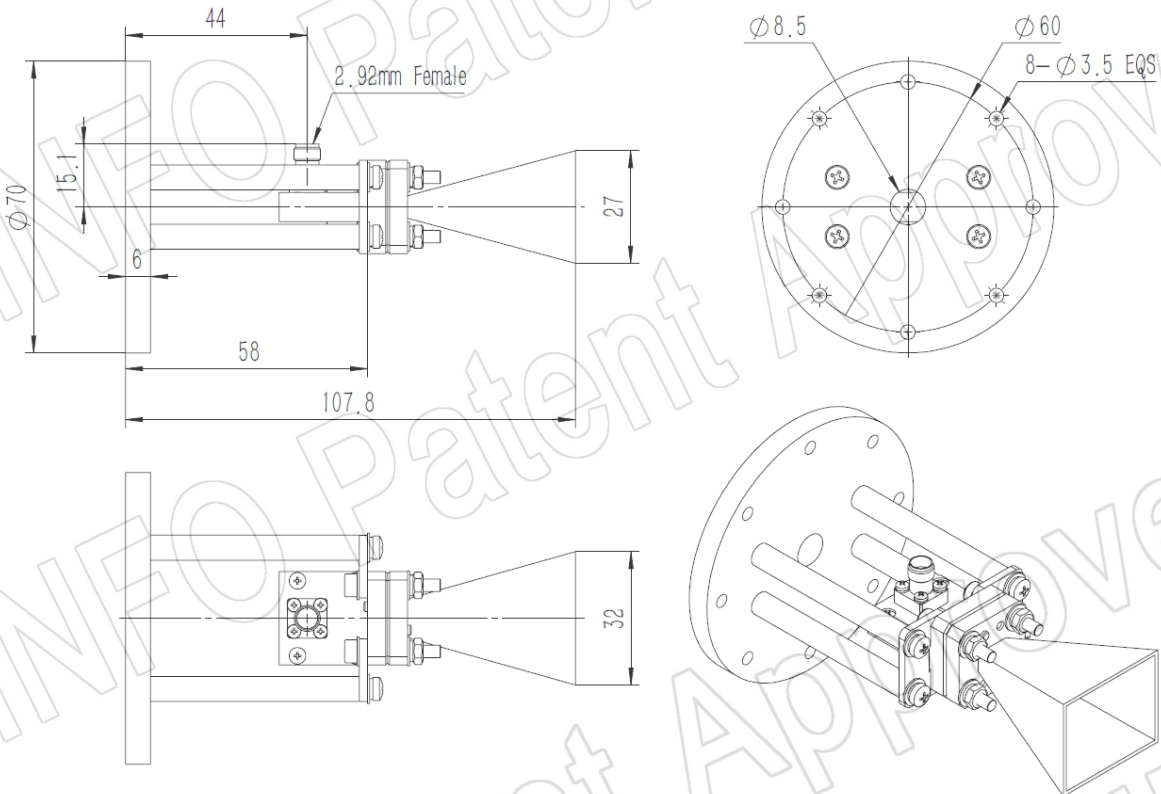
## 2.92mm-Female Output (P/N: LB-180400-15-C-KF)

For 2.4mm-Female or 2.92mm-Male output outline drawing, please contact A-INFO.



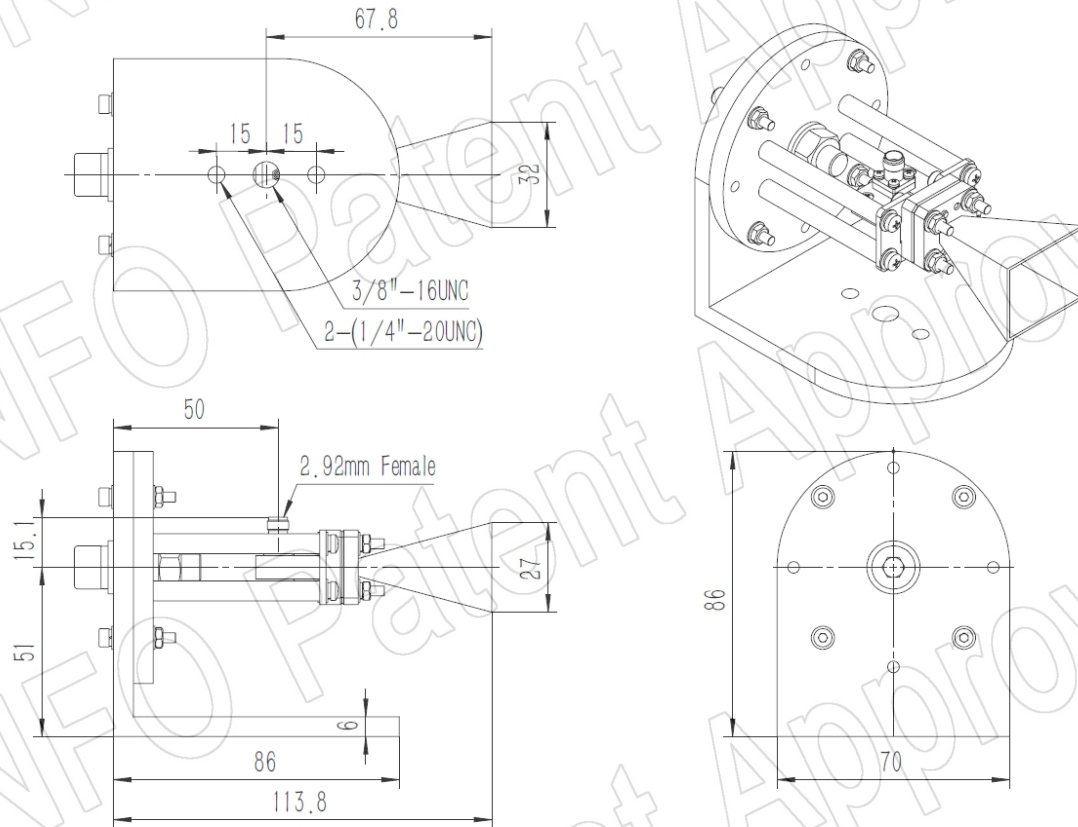
## 2.92mm-Female Output with Round Mounting Bracket (Option, P/N: LB-180400-10-C-MB)

For 2.4mm-Female or 2.92mm-Male output outline drawing, please contact A-INFO.

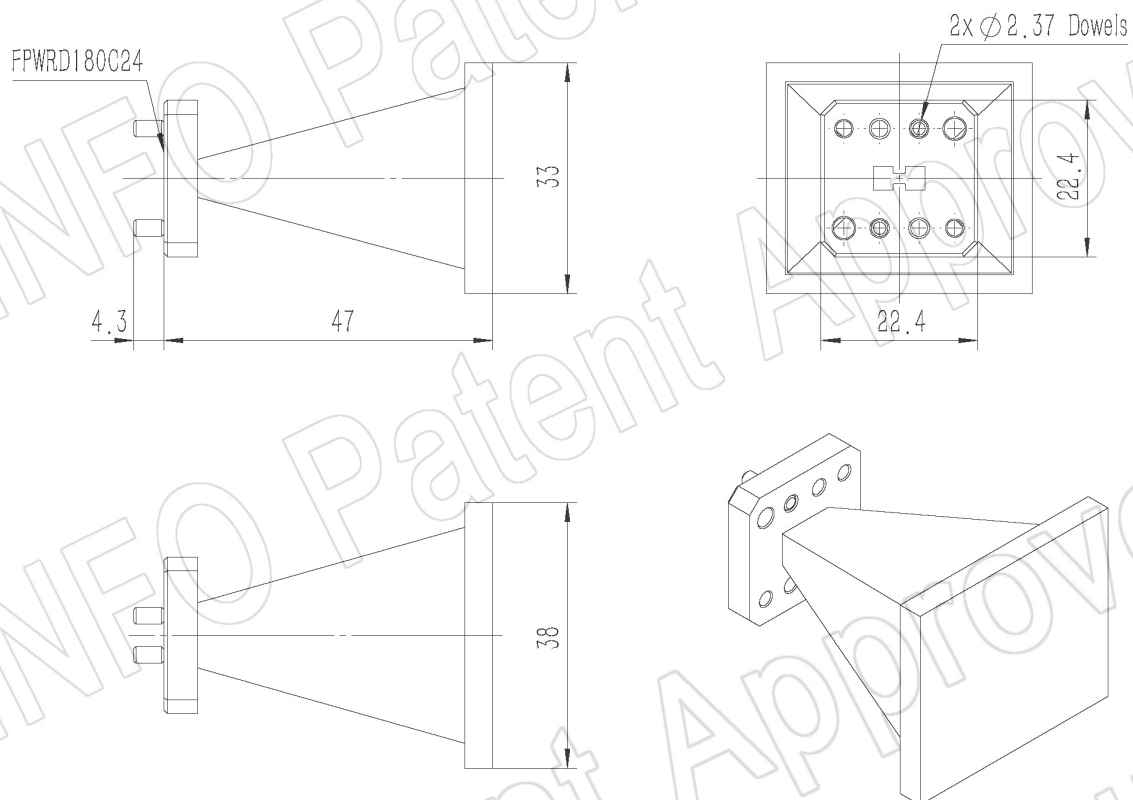


## 2.92mm-Female Output with L Type Mounting Bracket (Option, P/N: LB-180400-10-C-MBL)

For 2.4mm-Female or 2.92mm-Male output outline drawing, please contact A-INFO.

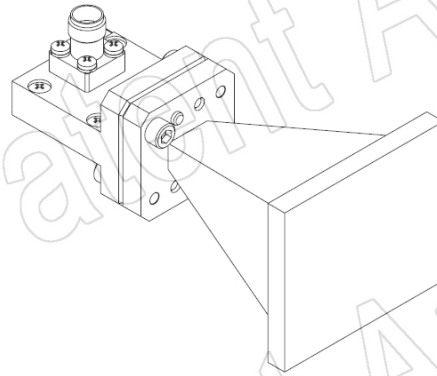
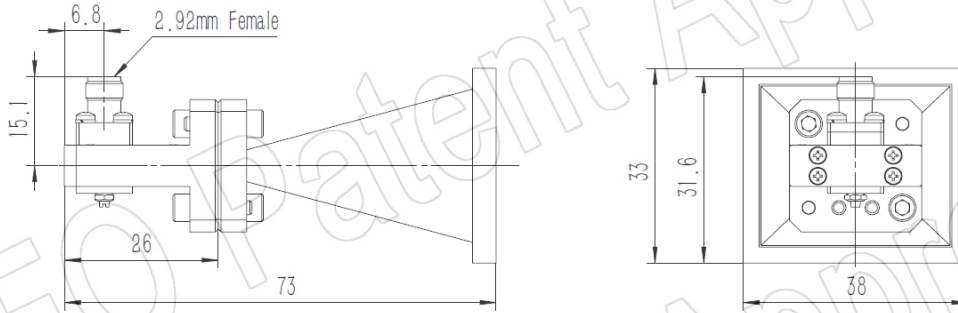


## FPWRD180C24 Output with Radome (Option, P/N: LB-180400-15-ASPO, Outdoor Application)



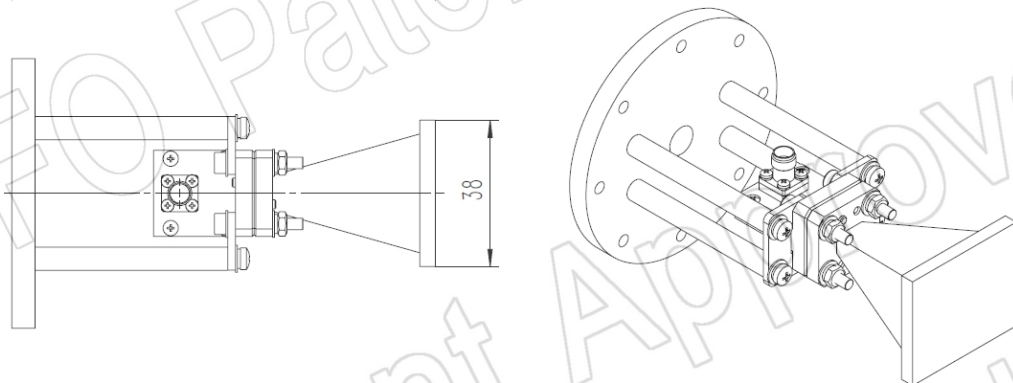
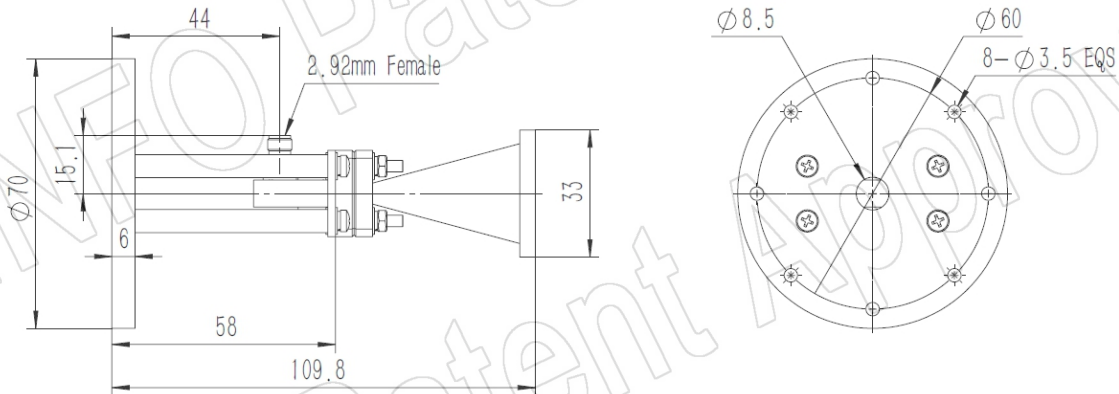
## 2.92mm-Female Output with Radome (Option, P/N: LB-180400-15-C-KFSP0, Outdoor Application)

For 2.4mm-Female or 2.92mm-Male output outline drawing, please contact A-INFO.



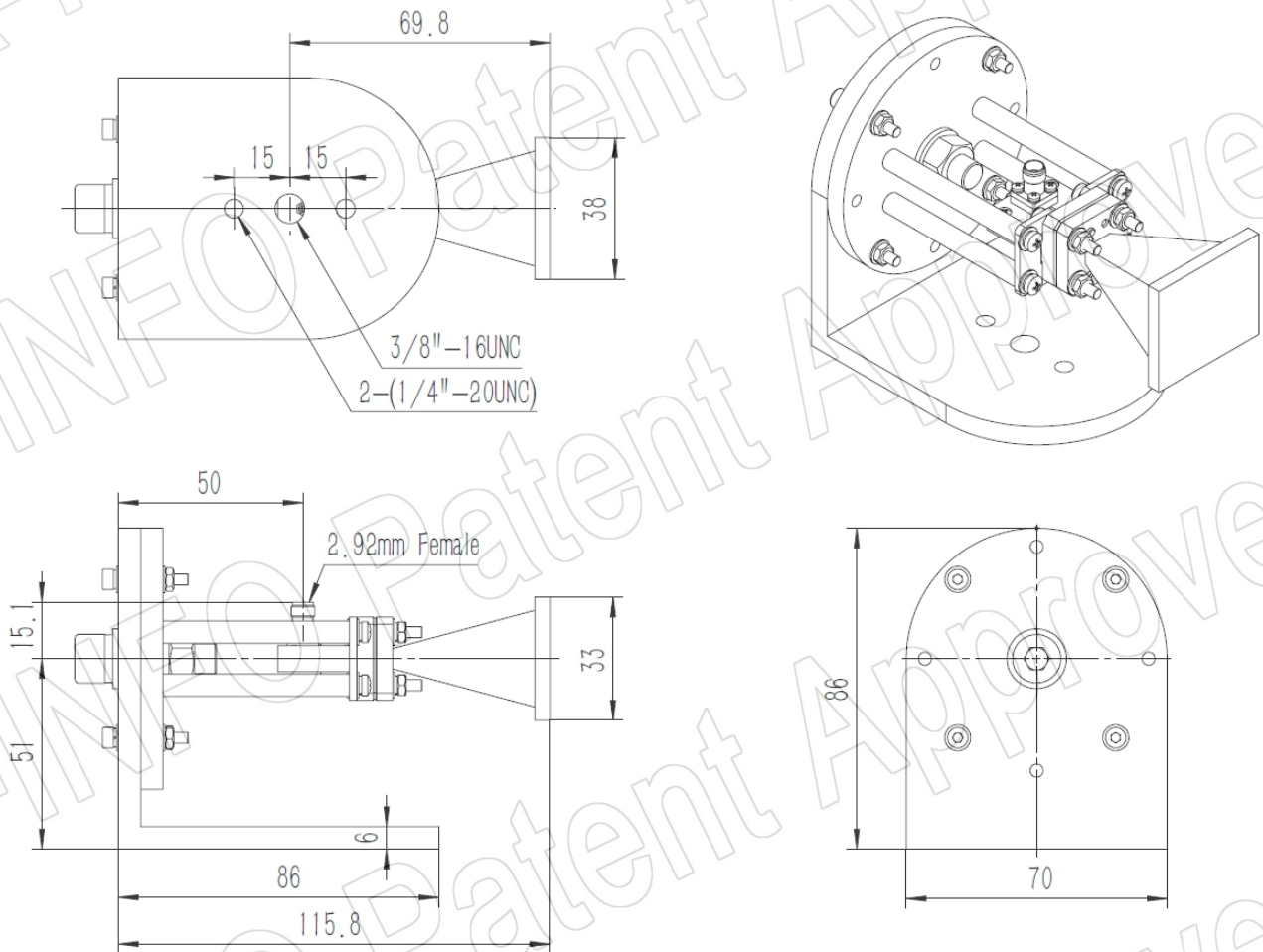
## 2.92mm-Female Output with Round Mounting Bracket & Radome (Option, P/N: LB-180400-10-C-MB & LB-180400-15-C-KFSP0, Outdoor Application)

For 2.4mm-Female or 2.92mm-Male output outline drawing, please contact A-INFO.



2.92mm-Female Output with L Type Mounting Bracket & Radome (Option, P/N: LB-180400-10-C-MBL & LB-180400-15-C-KFSPO, Outdoor Application)

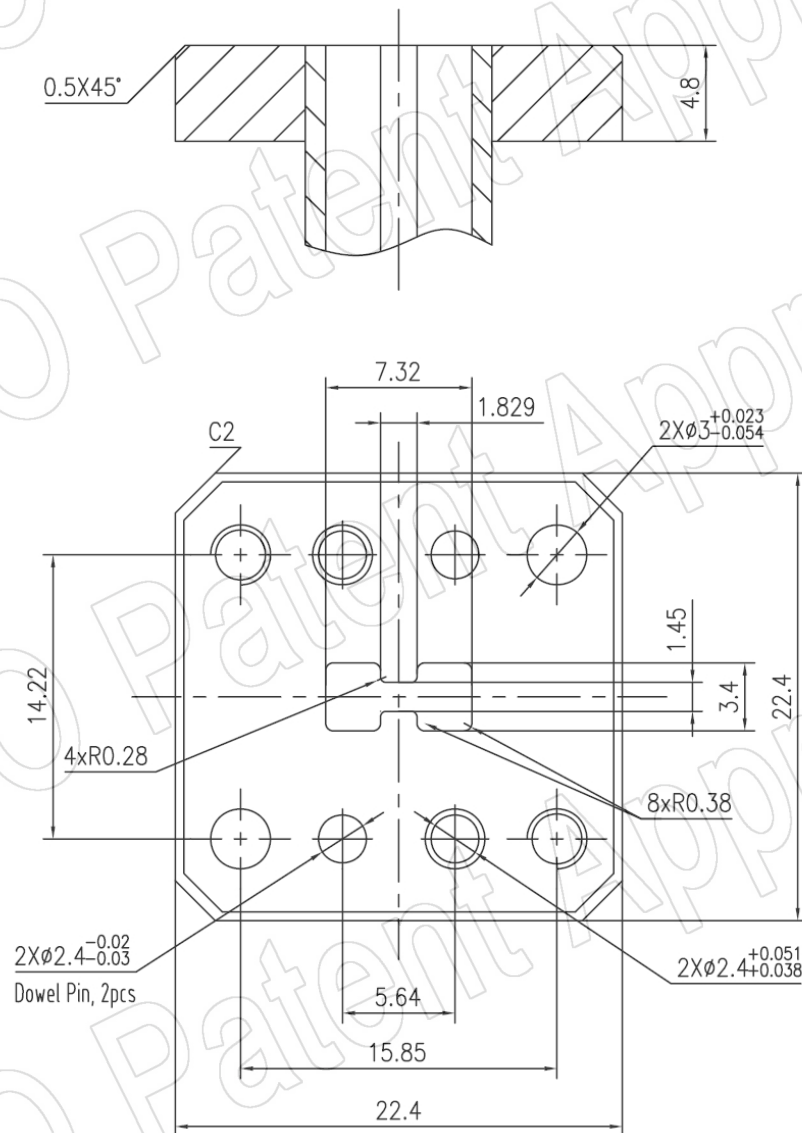
For 2.4mm-Female or 2.92mm-Male output outline drawing, please contact A-INFO.



## Flange Drawing (Size: mm)

### FPWRD180C24

(With two through mounting holes  
and two screws holes)



#### AINFO Inc.

China(Beijing):  
China(Chengdu):  
USA :

Tel: (+86) 10-6266-7326,  
Tel: (+86) 28-8519-2786,  
Tel: (+1) 949-639-9688,

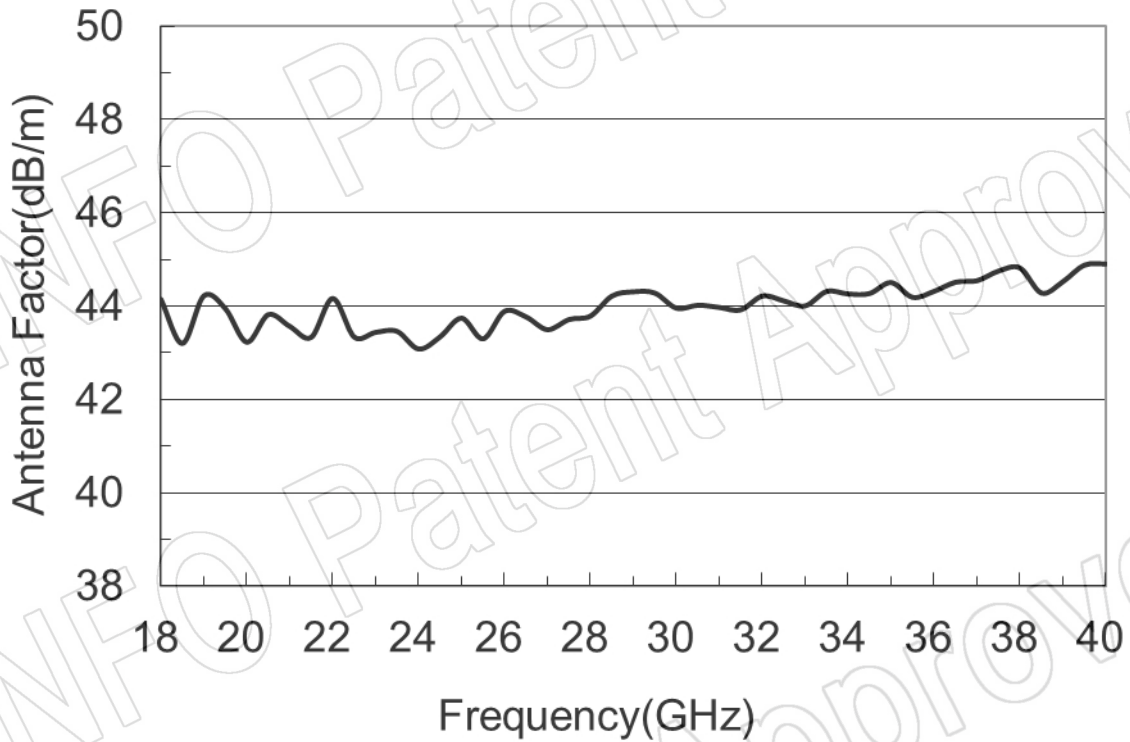
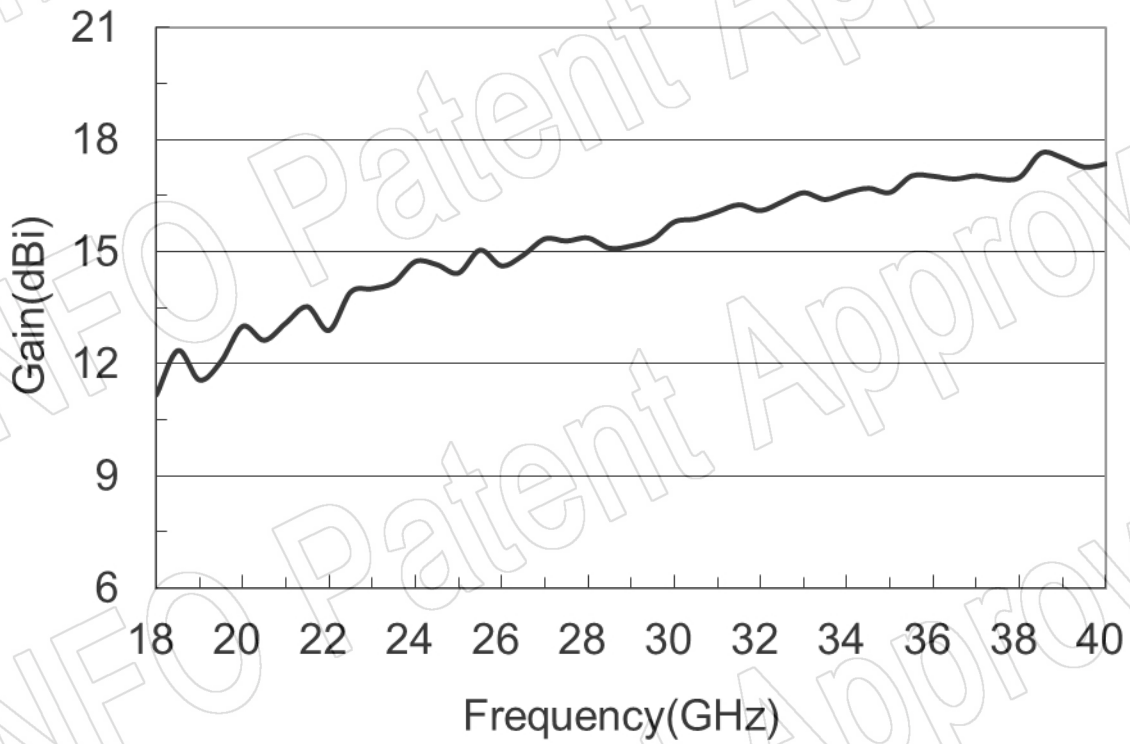
(+86) 10-6266-7327  
(+86) 28-8519-3044  
(+1) 949-639-9608

Fax: (+86) 10-6266-7379  
Fax: (+86) 28-8519-3068  
Fax: (+1) 949-639-9670

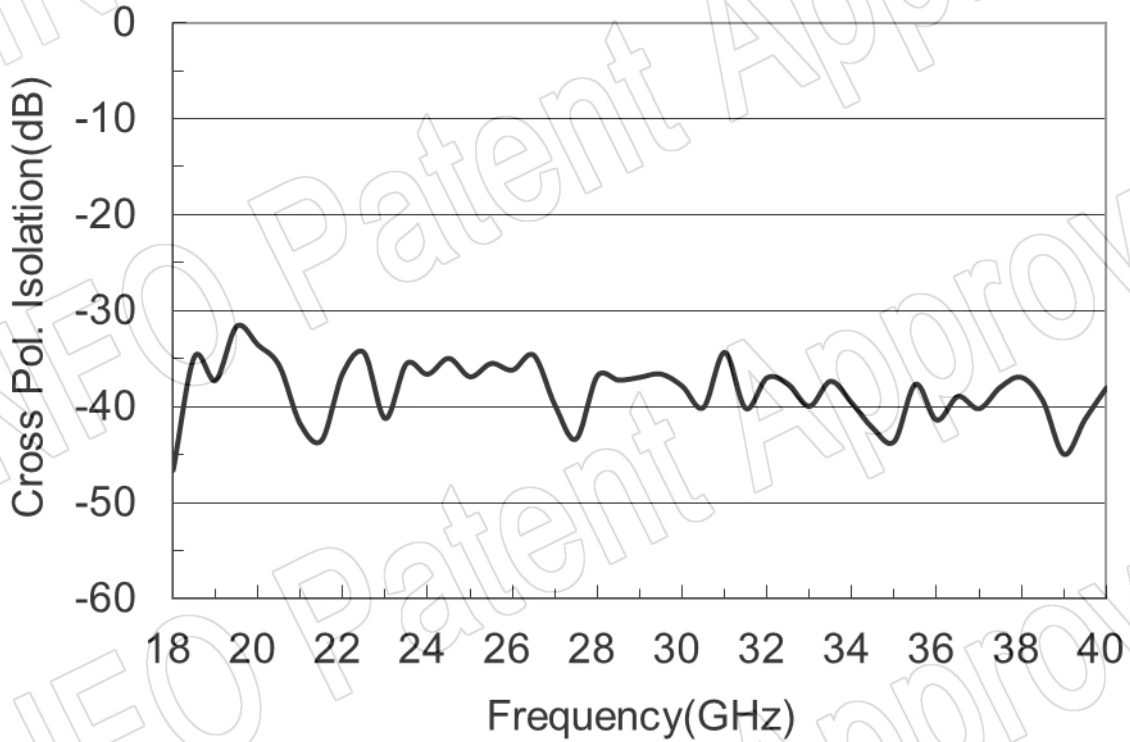
Website: [www.ainfoinc.com](http://www.ainfoinc.com)  
Email: [sales@ainfoinc.com](mailto:sales@ainfoinc.com)

## Test Results

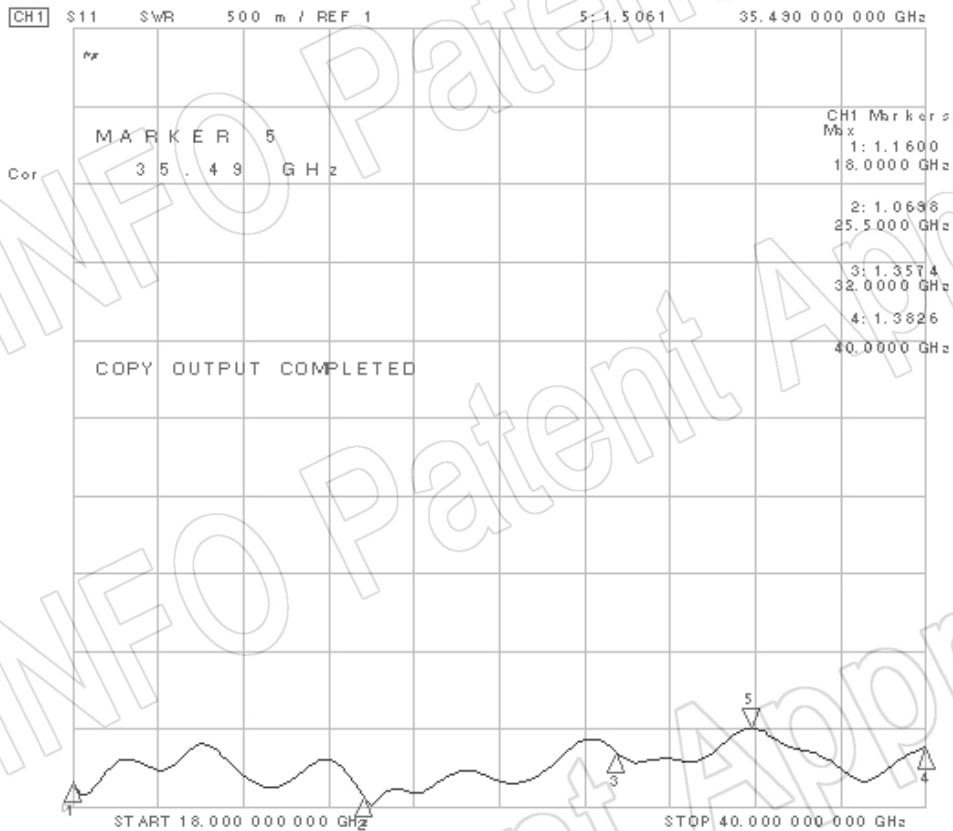
### 1. Gain & Antenna Factor



## 2. Cross Polarization Isolation



## 3. VSWR



AINFO Inc.

China(Beijing):  
China(Chengdu):  
USA :

Tel: (+86) 10-6266-7326,  
Tel: (+86) 28-8519-2786,  
Tel: (+1) 949-639-9688,

(+86) 10-6266-7327  
(+86) 28-8519-3044  
(+1) 949-639-9608

Fax: (+86) 10-6266-7379  
Fax: (+86) 28-8519-3068  
Fax: (+1) 949-639-9670

Website: www.ainfoinc.com  
Email: sales@ainfoinc.com



## 4. Pattern

